

Driver \_\_\_\_\_  
 Track / City \_\_\_\_\_  
 Event \_\_\_\_\_ Date \_\_\_\_ / \_\_\_\_ / \_\_\_\_

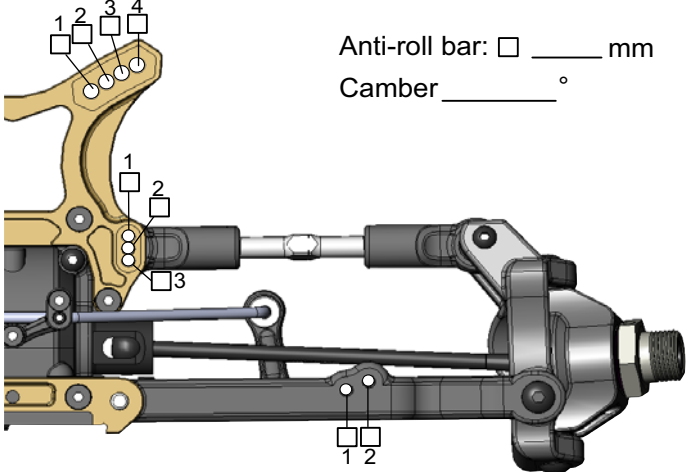
## SETUP SHEET for the TeamC T8E

**Track Condition**

Smooth       Bumpy       Low traction       Med traction       High traction

Sandy       Soft dirt       Grass       Hard soil       Clay       Wet       Dry       Dusty       Other

### Front Suspension Shock Mounting & Camber link



Anti-roll bar:  \_\_\_\_\_ mm  
 Camber \_\_\_\_\_ °

1  \_\_\_\_\_ 2  \_\_\_\_\_ 3  \_\_\_\_\_

1  \_\_\_\_\_ 2  \_\_\_\_\_ 3  \_\_\_\_\_

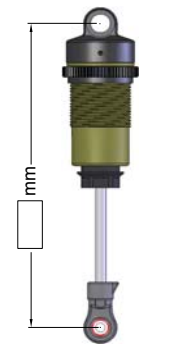
1  \_\_\_\_\_ 2  \_\_\_\_\_

Ride height \_\_\_\_\_ mm

1  \_\_\_\_\_ 2  \_\_\_\_\_ 3  \_\_\_\_\_

\_\_\_\_\_ Degree \_\_\_\_\_ °

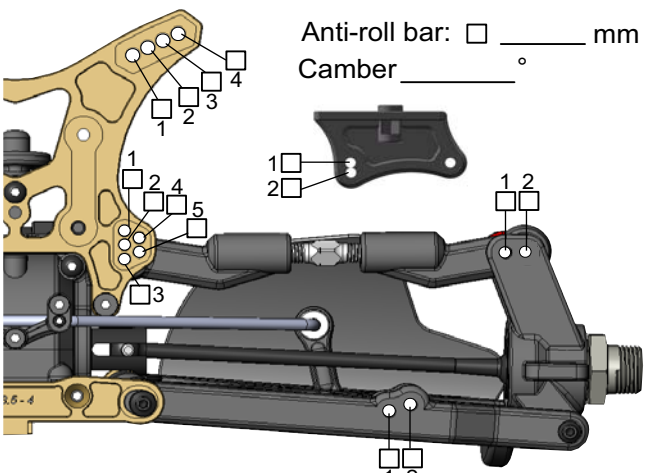
### Front Shocks



mm

Spring \_\_\_\_\_  
 Oil \_\_\_\_\_ wt  
 Piston # \_\_\_\_\_

### Rear Suspension Shock Mounting & Camber link



Anti-roll bar:  \_\_\_\_\_ mm  
 Camber \_\_\_\_\_ °

1  \_\_\_\_\_ 2  \_\_\_\_\_ 3  \_\_\_\_\_ 4  \_\_\_\_\_ 5  \_\_\_\_\_

1  \_\_\_\_\_ 2  \_\_\_\_\_ 3  \_\_\_\_\_

1  \_\_\_\_\_ 2  \_\_\_\_\_

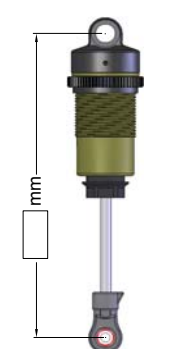
Ride height \_\_\_\_\_ mm

1  -L      2  -R      1       2

2  +L      3  +R      0       1

Wheelbase  Long  
 Medium  
 Short

### Rear Shocks



mm

Spring \_\_\_\_\_  
 Oil \_\_\_\_\_ wt  
 Piston # \_\_\_\_\_

### Tires

Brand \_\_\_\_\_  
 Compound \_\_\_\_\_  
 Insert \_\_\_\_\_ **Front**  
 Wheel \_\_\_\_\_

Brand \_\_\_\_\_  
 Compound \_\_\_\_\_  
 Insert \_\_\_\_\_ **Rear**  
 Wheel \_\_\_\_\_

**Note** \_\_\_\_\_

### Diff

Brand \_\_\_\_\_  
 Oil wt \_\_\_\_\_ **Front**

Brand \_\_\_\_\_  
 Oil wt \_\_\_\_\_ **Center**

Brand \_\_\_\_\_  
 Oil wt \_\_\_\_\_ **Rear**

### Motor

ESC \_\_\_\_\_  
 Motor \_\_\_\_\_  
 LiPo battery \_\_\_\_\_  
 Spur \_\_\_\_\_  
 Pinion \_\_\_\_\_

**Note** \_\_\_\_\_